



GASPARIN OMG srl
 Via Giorgione 17
 Unità locale: Via Palladio 29
 31040 Musano di Trevignano (TV) – ITALY
 Tel. +39 0423 – 670201 Fax 0423 – 676575
 Tel. +39 0423 – 670001 Fax 0423 – 670602
www.gasparin-omg.com
info@gasparin-omg.com

GI3500R

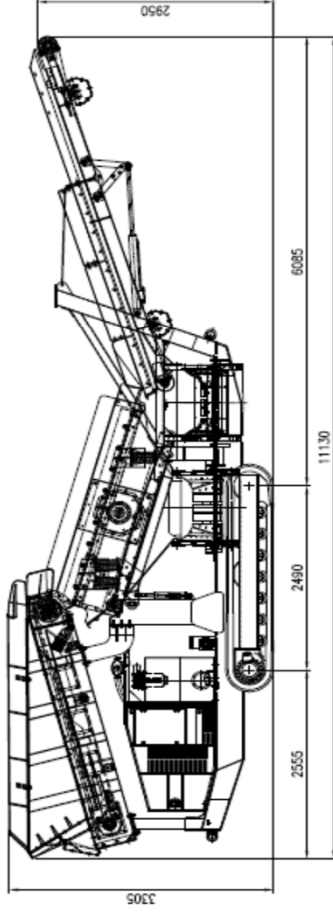
BASE MACHINE

PRODUCTION		T/h	300
Note: The production depends of the material treatment and the meshes			
Max feeding size		mm	500
DIMENSION			
Base machine weight		kg	15000
Transport length with oversize belt conveyor folded		mm	9400
Transport width		mm	2550
Transport height		mm	3100
BS.01 SCREENING			
Double deck vibrating screen	- Dimension	mm	2750x1200
Hydraulically adjustable screen angle in three positions			
BS.02 HOPPER			
Folding side walls	- Capacity	m ³	3
BS.03 FEEDING			
Feeder belt	- Type		1x3
Speed adjustment	- Belt width	mm	1000
BS.04 OVER SIZE CONVEYOR			
Chevron belt	- Type		1x4,8
Speed adjustment	- Belt width	mm	1000
	- Stockpiling height	mm	2950
BS.06 MID SIZE CONVEYOR			
Chevron belt	- Type		0,8x5,85
Hydraulically folding	- Belt width	mm	800
	- Stockpiling height	mm	2900
BS.07 FINE SIZE CONVEYOR			
Flat belt	- Type		0,8x5,85
Hydraulically folding	- Belt width	mm	800
	- Stockpiling height	mm	2900
BS.09 POWER PACK			
4 cylinder diesel engine stage 2 constant speed	- Power	kW	60
BS.10 CRAWLER TRACKS			
BS.12 CONTROL PANEL			
BS.13 UMBILICAL TRACKS CONTROL			

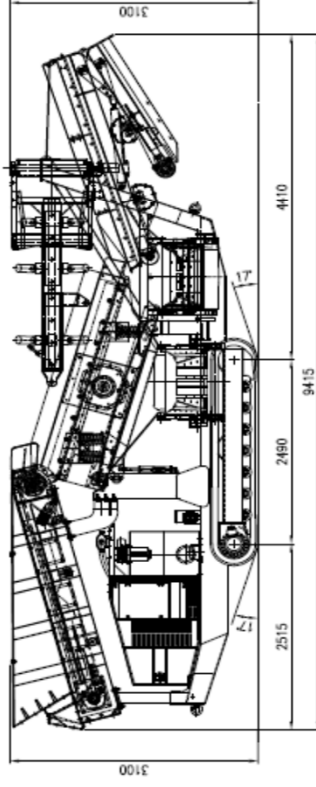
OPTIONAL

OS.04 REMOTE CONTROL	Start/Stop crawler speed, start/stop feeder, Emergency, Horn.	
OS.07 TOP DECK	Punch plate Fingers Square mesh	Varius dimensions Varius dimensions Varius dimensions
OS.08 BOTTOM DECK	Square mesh Anti-clogging mesh	Varius dimensions Varius dimensions
OS.13 HYDRAULICALLY FOLDING OVER SIZE CONVEYOR		

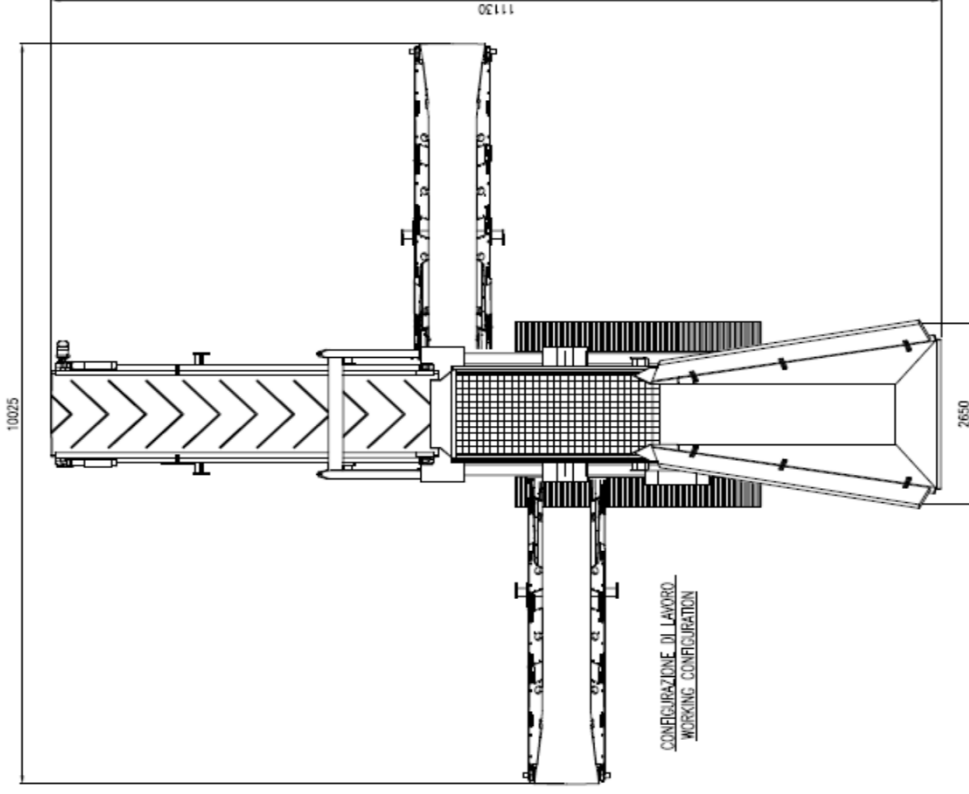
GI3500R



CONFIGURAZIONE DI LAVORO
WORKING CONFIGURATION



CONFIGURAZIONE DI TRASPORTO
TRANSPORT CONFIGURATION



CONFIGURAZIONE DI LAVORO
WORKING CONFIGURATION



GASPARIN OMG srl - Via Giorgione 17 - 31040 Musano di Trevignano (Treviso) Italy. Tel. +39 0423 670201 - Fax +39 0423 676575
 Unità locale: Via Palladio 29- 31040 Musano di Trevignano (Treviso) Italy Tel. +39 0423 670001 Fax +39 0423 670602
 www.gasparin-omg.com ; e-mail: info@gasparin-omg.com

The maximum production is related to the processing of dry limestone material with 1.6 t / m³ bulk density and 150MPa (1500 kg / cm²) compressive strength. In the case of demolition application, the production may change considerably, depending on the feed material size and the steel percentage quantity in the feed material. For heavy duty application which need, compressive strength over 200MPa, please contact GASPARIN OMG Technical Department. The technical features of this documentation may change.

GASPARIN OMG Srl reserves the right to make changes without notice.