



GASPARIN OMG srl
 Via Giorgione 17
 Unità locale: Via Palladio 29
 31040 Musano di Trevignano (TV) – ITALY
 Tel. +39 0423 – 670201 Fax 0423 – 676575
 Tel. +39 0423 – 670001 Fax 0423 – 670602
www.gasparin-omg.com
info@gasparin-omg.com

GI 5000R

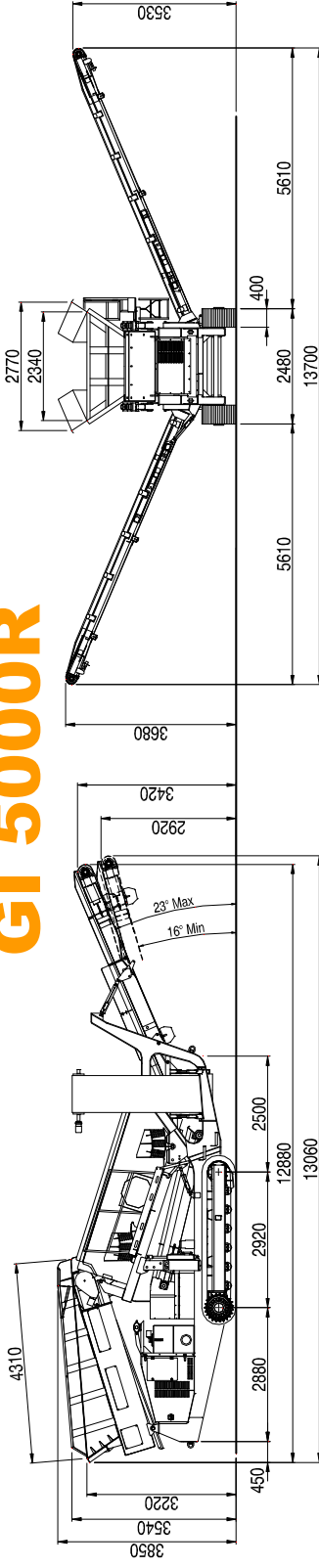
BASE MACHINE

PRODUCTION		T/h	400
Note: The production depends of the material treatment and the meshes			
Max feeding size		mm	600
DIMENSION			
Base machine weight		kg	24000
Transport length with folded oversize conveyor		mm	11730
Transport width		mm	2550
Transport height		mm	3200
BS.01 SCREENING			
Double deck vibrating screen	- Dimension	mm	4000x1400
BS.02 HOPPER			
Folding side walls	- Dimension	m ³	6
BS.03 FEEDING			
Belt feeder conveyor	- Type		1,2x3,5
Speed adjustment	- Belt width	mm	1200
BS.04 OVERSIZE CONVEYOR			
Hydraulically folding	- Type		1,2x5
Chevron belt	- Belt width	mm	1200
Speed adjustment	- Discharge height	mm	3420
BS.05 COLLECTION CONVEYOR			
	- Type		1,2x3,3
	- Belt width	mm	1200
BS.06 MID SIZE CONVEYOR			
Hydraulically folding	- Type		0,8x7,7
Chevron belt	- Belt width	mm	800
	- Discharge height	mm	3530
BS.07 FINE SIDE CONVEYOR			
Hydraulically folding	- Type		0,8x7,7
Flat belt	- Belt width	mm	800
	- Discharge height	mm	3680
BS.09 POWER PACK			
4 cylinder diesel engine, stage 2 constant speed	- Power	kW	93
BS.10 CRAWLER TRACKS			
BS.12 CONTROL PANEL			
BS.13 UMBILICAL TRACKS CONTROL			

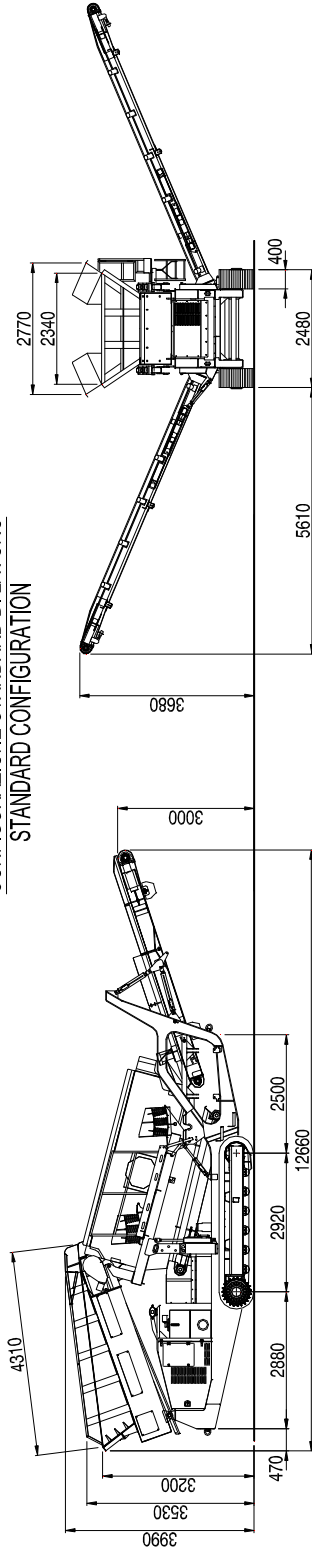
OPTIONAL

OS.04 REMOTE CONTROL STEP.2	Start / Stop crawler; Start / Stop feeder, emergency horn.		
OS.07 TOP DECK	Punch plate Bars grid Fingers Square mesh		Varius dimensions Varius dimensions Varius dimensions Varius dimensions
OS.08 BOTTOM DECK	Square mesh Anti-clogging mesh		Varius dimensions Varius dimensions
OS.11 APRON FEEDER	- Type - Plate width	mm	1,0x3,5 1000
OS.12 SLIDING SYSTEM FOR OVERSIZE CONVEYOR			

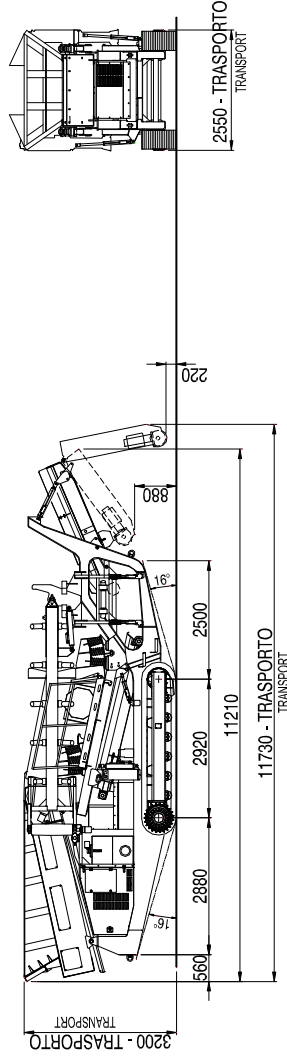
GI 5000R



CONFIGURAZIONE STANDARD DI LAVORO
STANDARD CONFIGURATION



CONFIGURAZIONE CON SISTEMA DI SCORRIMENTO NASTRO FRONTALE (opzionale)
CONFIGURATION WITH SLIDING SYSTEM (optional)



CONFIGURAZIONE DI TRASPORTO
TRANSPORT CONFIGURATION



GASPARIN OMG srl Via Giorgione 17 - 31040 Musano di Trevignano (Treviso) Italy. Tel. +39 0423 670201 - Fax +39 0423 676575
 Unità locale: Via Palladio 29 - 31040 Musano di Trevignano (Treviso) Italy. Tel. +39 0423 670001 Fax +39 0423 670602
www.gasparin-omg.com ; e-mail: info@gasparin-omg.com



The maximum production is related to the processing of dry limestone material with 1.6 t/m³ bulk density and 150MPa (1500 kg/cm²) compressive strength. In the case of demolition application, the production may change considerably, depending on the feed material size and the steel percentage quantity in the feed material. For heavy duty application which need, compressive strength over 200MPa, please contact GASPARIN OMG Technical Department. The technical features of this documentation may change. GASPARIN OMG Srl reserves the right to make changes without notice.